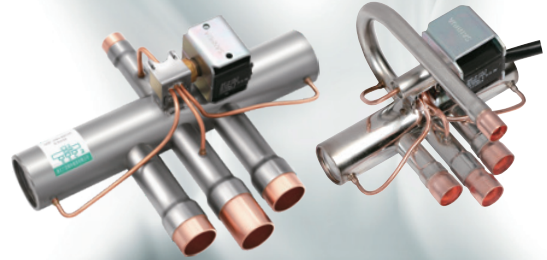


SHF-G SERIES

Stainless Steel 4 Way Reversing Valve

SHF series four-way reversing valves are applicable for heat pump systems such as commercial and room air conditioners realize switching cooling mode, defrosting mode and heating mode by changing the flow path of refrigerant.



FEATURES

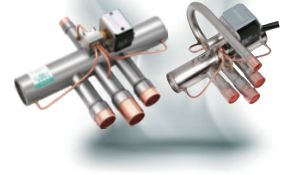
- ALL STAINLESS STEEL VALVE BODY AND CONNECTION BODY, HIGH COMPRESSIVE STRENGTH AND BETTER VIBRATION RESISTANCE
- LESS HEAT LOSS THAN COPPER VALVE, HIGH EFFICIENCY AND ENERGY SAVING
- THE TOP OF CONNECTION END IS DESIGNED AS A COPPER JOINT, WHICH IS CONVENIENT FOR WELDING AND INSTALLATION
- SUITABLE FOR COOLING CAPACITIES FROM 4.6kW TO 77.2 kW (R410A, CONDITION 1)

GENERAL SPECIFICATIONS

- Applicable for all common HCFC, HFC, HFO and HC refrigerants such as: R22, R134a, R404A, R407C, R410A, R507, R1234yf, R1234ze(E), R32, R290, etc.
- Ambient Medium Temperature min/ max: SHF 4G/7G/13G: -30°~+120°
SHF20GR/20G/35G/50G/70G: -30°C~+130°C
- Ambient temperature min/max: -30°C~+55°C
- Relative humidity: 0 to 95% RH
- Max. operating pressure: 4.2MPa (42bar)
- Certifications: CQC
- Installation position: - Coil upwards or with body axis in horizontal alignment
- Flow direction according to installation instruction

SHF-G SERIES

Stainless Steel 4 Way Reversing Valve

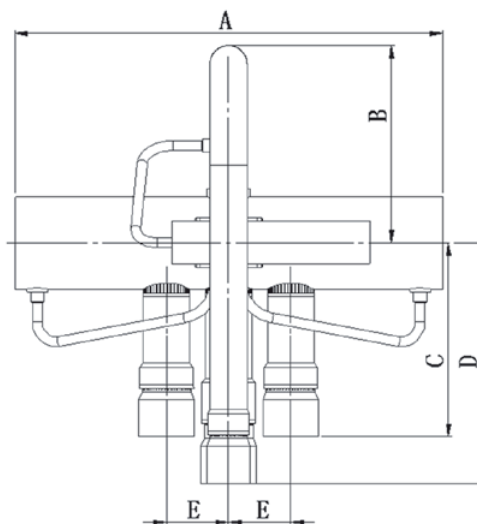


TECHNICAL PARAMETERS

Valve series	Fixed/ Inverter AC	Connections ODF		Max. Op. Temp.	OPD		Medium temperature	Valve Model
		ØD	ØE/S/C		Max.	Min.		
		[inch]	[inch]	[MPa]	[MPa]	[MPa]	[°C]	
SHF 4G	General	1/4	3/8	4.2	3.1	0.25	-30/+120	SHF(G)-4H-23U-A
SHF 7G	General	3/8	1/2	4.2	3.1	0.25	-30/+120	SHF(G)-7H-34U-A
SHF 13G	General	1/2	5/8	4.2	3.1	0.25	-30/+120	SHF(G)-13H-45
SHF 20GR*	General	1/2	3/4	4.2	3.1	0.3	-30/+130	SHF-20D46GR01
SHF 20G	Fixed	1/2	3/4	4.2	3.1	0.3	-30/+130	SHF-20D-46G31
SHF 20G	Inverter	1/2	3/4	4.2	3.1	0.3	-30/+130	SHF-20D-46G30
SHF 35G	Fixed	3/4	7/8	4.2	3.1	0.3	-30/+130	SHF-35B-67G31
SHF 35G	Inverter	3/4	7/8	4.2	3.1	0.3	-30/+130	SHF-35B-67G30
SHF 35G	Fixed	7/8	1-1/8	4.2	3.1	0.3	-30/+130	SHF-35B-79G31
SHF 35G	Inverter	7/8	1-1/8	4.2	3.1	0.3	-30/+130	SHF-35B-79G30
SHF 50G	Fixed	7/8	1-1/8	4.2	3.1	0.3	-30/+130	SHF-50-79G31
SHF 50G	Inverter	7/8	1-1/8	4.2	3.1	0.3	-30/+130	SHF-50-79G30
SHF 70G	Fixed	1	1-1/4	4.2	3.1	0.3	-30/+130	SHF(L)-70-810G33
SHF 70G	Inverter	1	1-1/4	4.2	3.1	0.3	-30/+130	SHF(L)-70-810G32

*The capacity of SHF20GR is smaller than that of SHF20G

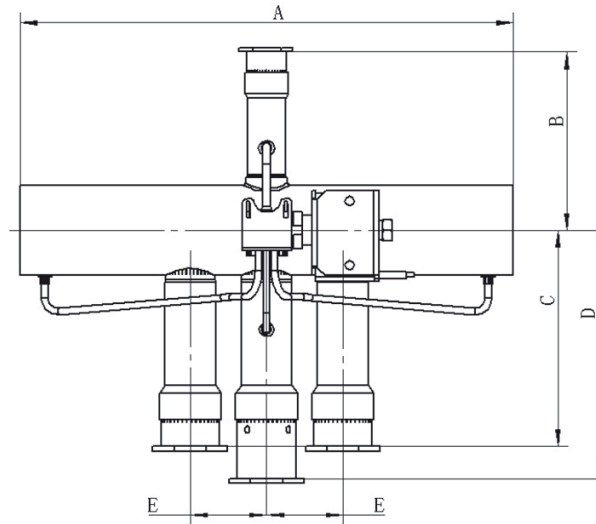
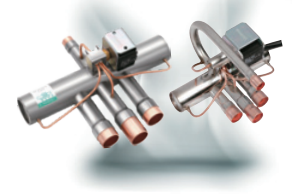
DIMENSIONS



Dimensions&Weight						
Valve Model	A	B	C	D	E	Weight
	[mm]	[mm]	[mm]	[mm]	[mm]	
SHF(G)-4H-23U-A	92.0	43	50	62	12	0.15
SHF(G)-7H-34U-A	110.3	51	50	62	16	0.20

SHF-G SERIES

Stainless Steel 4 Way Reversing Valve



Dimensions & Weight						
Valve Model	A	B	C	D	E	Weight
	[mm]	[mm]	[mm]	[mm]	[mm]	[kg]
SHF(G)-13H-45	131.5	52	50	62	20	0.25
SHF-20D-46GR01	165	63.8	79	91	28.6	0.4
SHF-20D-46G31	184.6	67	81	93	28.6	0.5
SHF-20D-46G30	184.6	67	81	93	28.6	0.5
SHF-35B-67G33	208.6	78	82.3	95.3	33	0.8
SHF-35B-67G32	208.6	78	82.3	95.3	33	0.8
SHF-35B-79G39	208.6	78.2	84	97	33	0.9
SHF-35B-79G38	208.6	78.2	84	97	33	0.9
SHF-50-79G43	230.6	86.1	90.8	103.6	37	1
SHF-50-79G42	230.6	86.1	90.8	103.6	37	1
SHF(L)-70-810G35	290	111	117	131	46	2.6
SHF(L)-70-810G34	290	111	117	131	46	2.6

Coil Characteristics

Winding Code*	Rated Voltage	Connection type	Cable Length	Power Consumption		Protection Class	Insulation Class	Max. Op. Temp.	Coil Model
				50/60 Hz	DC				
	[V]			[mm]	[W]				
SHF-4-10L3	AC220-240	lead wire	500	4.5/3.5W		IP54	B	130	SQ-A3722G-000001
SHF-4-10L4	AC110-120	lead wire	500	4.5/3.5W		IP54	B	130	SQ-A2511A-001020
SHF-4-10L5	AC24	lead wire	500	4.5/3.5W		IP54	B	130	SQ-A25024-001040
SHF-4-10L3	AC220-240	lead wire	1500	4.5/3.5W		IP54	B	130	SQ-A3722G-000057
SHF-4-10L4	AC110-120	lead wire	1500	4.5/3.5W		IP54	B	130	SQ-A2511A-005052
SHF-4-10L5	AC24	lead wire	1500	4.5/3.5W		IP54	B	130	SQ-A25024-001046
SHF-4-10FA8	DC12	spade	-	-	10	IP00	F	155	SQ-D44012-000001
SHF-4-10FA9	DC24	spade	-	-	10	IP00	F	155	SQ-D44024-000001

* Certified model