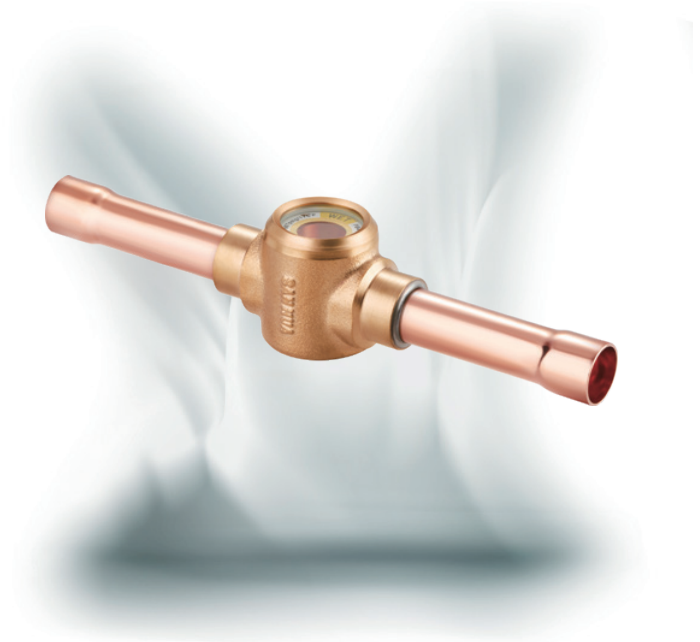


## SYJ SERIES

# Sight Glass

Sight glasses are installed after the filter drier in liquid line of refrigerating systems, in order to observe property changes of the refrigerant (liquid/vapor) and to indicate the moisture level by colors.

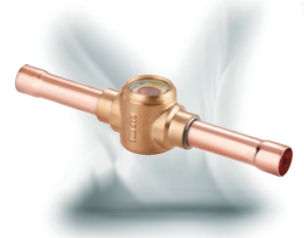


### FEATURES

- HIGH PRECISION COLOR INDICATOR
- INDICATOR PASTED CLOSELY TO THE GLASS TO PREVENT SURFACE CONTAMINATION
- SOLID AND CORROSION RESISTANT BRASS MATERIAL
- GOOD READABILITY DUE TO HIGH CLEAR SIGHT GLASS OF WIDE ANGLE
- HIGH ADAPTABILITY OF REFRIGERANTS
- NEW ANNULAR HUMIDITY COLOR INDICATOR. FULL PORT PASSAGE WITH LOW PRESSURE DROP

### GENERAL SPECIFICATION

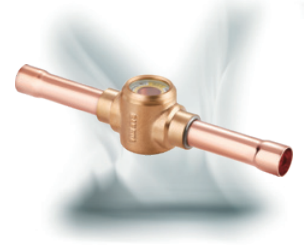
- Applicable for all common HCFC, HFC, HC, HFO refrigerants such as: R22, R134a, R404A, R407C, R410A, R507, R407A/F, R1234ze
- Ambient temperature min./max.: -30°C / +60°C
- Medium temperature TS min./max.: -50°C / +80°C
- Max. operating pressure PS: 4,6 MPa (46 bar)
- Certifications: UL and PED declaration



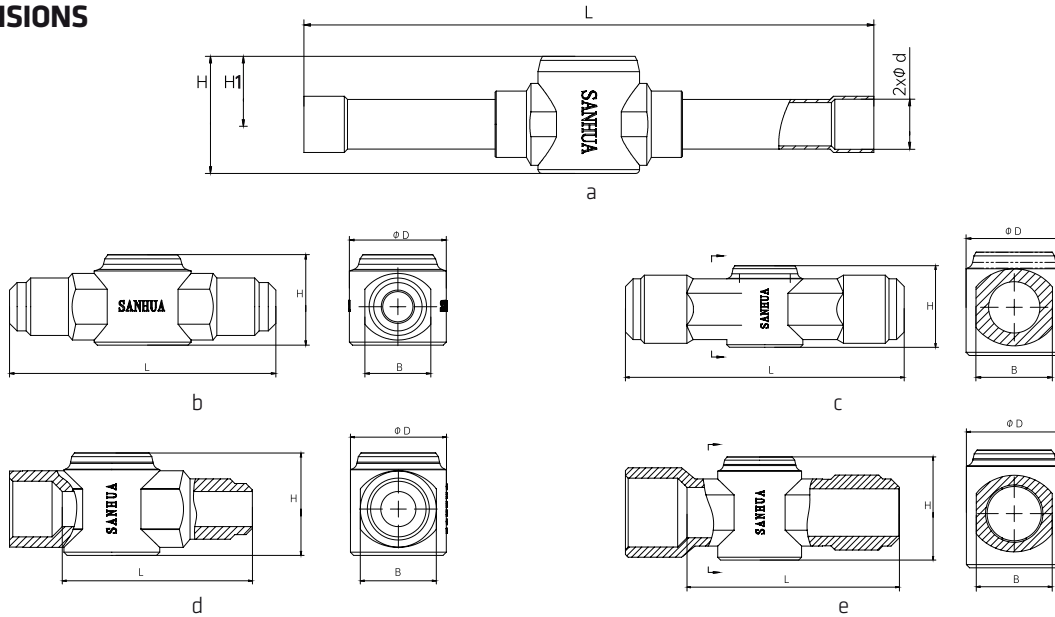
Drawing	Model Series	Connection Type	Connecting dimensions		Model Name
			[inch]	[mm]	
	SYJ6	Solder ODF×ODF	-	6	SYJ06H12
	SYJ6		1/4	-	SYJ06H11
	SYJ10		3/8	-	SYJ10H11
	SYJ10		-	10	SYJ10H12
	SYJ12		1/2	-	SYJ12H11
	SYJ12		-	12	SYJ12H12
	SYJ16		5/8	16	SYJ16H11
	SYJ19		3/4	19	SYJ19H11
	SYJ6	Flare M×M	1/4	-	SYJ06L11
	SYJ10		3/8	-	SYJ10L11
	SYJ12		1/2	-	SYJ12L11
	SYJ16		5/8	-	SYJ16L11
	SYJ19		3/4	-	SYJ19L11
	SYJ6	Flare F×M	1/4	-	SYJ06L41
	SYJ10		3/8	-	SYJ10L41
	SYJ12		1/2	-	SYJ12L41
	SYJ16		5/8	-	SYJ16L41
	SYJ19		3/4	-	SYJ19L41

**MOISTURE INDICATION LIMITS**

Refrigerants	Moisture Content: ppm					
	25°C			43°C		
	Green/Dry	Middle Color	Yellow/Wet	Green/Dry	Middle Color	Yellow/Wet
R22	< 100	100 ~ 200	> 200	< 140	140 ~ 350	> 350
R134a	< 90	90 ~ 180	> 180	< 120	120 ~ 330	> 330
R404A	< 40	40 ~ 100	> 100	< 80	80 ~ 160	> 160
R410A	< 90	90 ~ 300	> 300	< 200	200 ~ 580	> 580
R507	< 15	15 ~ 90	> 90	< 80	80 ~ 170	> 170
R407C	< 120	120 ~ 280	> 280	< 100	100 ~ 260	> 260



**DIMENSIONS**



Model Series	Connection Type	L	H	H1	φD	B	Weight	Drawing
	[inch]	[mm]	[mm]	[mm]	[mm]	[mm]	[g]	
SYJ6	Solder ODF×ODF	101	24	14			100	a
SYJ6		101	24	14			100	
SYJ10		119	24	14			100	
SYJ10		119	24	14			100	
SYJ12		146	30	17	-	-	200	
SYJ12		146	30	17			200	
SYJ16		146	30	17			200	
SYJ19		173	37	21			300	
SYJ22		173	37	21			300	
SYJ6	Flare M×M	67	24		27	14	110	b
SYJ10		82	30		32	22	240	
SYJ12		88	30	-	32	22	240	
SYJ16		104	32		30	24	320	
SYJ19		110	32		30	24	340	
SYJ6	Flare F×M	46	30		32	22	200	d
SYJ10		57	30		32	22	240	
SYJ12		60	32	-	30	24	250	
SYJ16		72	37		30	24	320	
SYJ19		76	37		30	24	330	