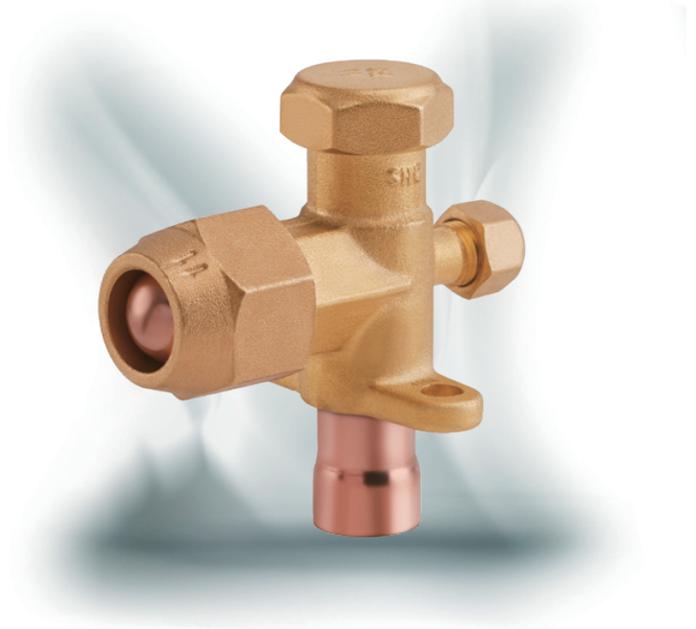


## SSV SERIES

# Brass Service Valve

Brass service valves of series SSV are applicable for split air conditioners to connect indoor unit and outdoor unit. It can also be used in other cooling or refrigeration systems. The inner path of the valve can be closed by operating the valve stem. The 3way version (with charge port) can be used as service valve for vacuum pumping and refrigerant injection.



### FEATURES

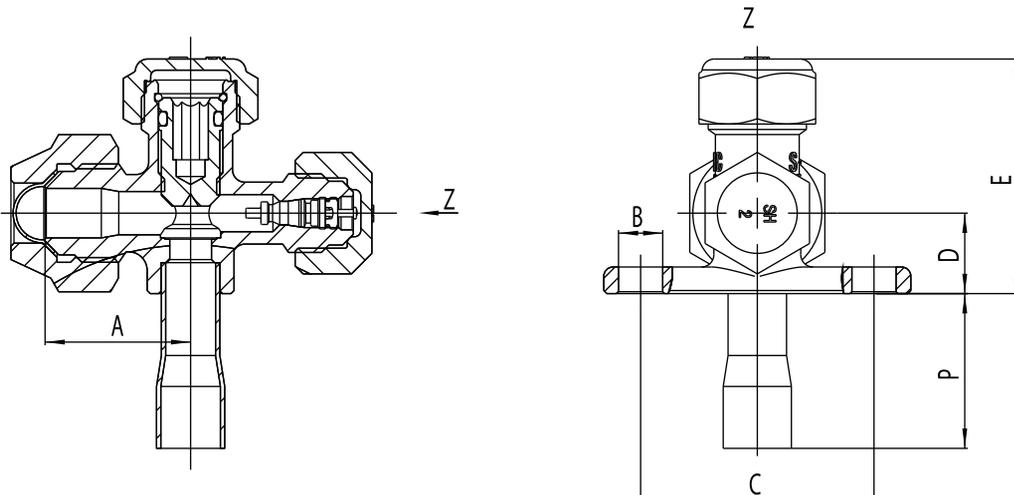
- AVAILABLE WITHOUT AND WITH CHARGE PORT
- COST EFFICIENT SOLUTION
- HIGH STRESS CORROSION RESISTANCE

### GENERAL SPECIFICATIONS

- Applicable for all common HCFC and HFC refrigerants such as: R22, R134a, R404A, R410A, R32
- Ambient temperature min./max.: -20°C / +60°C
- Medium temperature TS min./max.: -30 °C / +120°C
- Max. operating pressure PS: 4,3 MPa (43 bar)

**Note:** 1) Cooling capacity of refrigerants pls refer to Sanhua selection tool

### DIMENSIONS



# SSV SERIES

## Brass Service Valve



### Applicable for HCFC such as R22

| Series | ØA Flare     | Ød ODF | Charge Port Flare | Model          |
|--------|--------------|--------|-------------------|----------------|
|        | [inch]       | [inch] | [inch]            |                |
| SSV 2  | 7/16-20UNF   | 1/4    | -                 | SSV-A2HSHC-37  |
| SSV 3  | 5/8-18UNF    | 3/8    | 7/16-20UNF        | SSV-JA3HSHC-34 |
| SSV 4  | 3/4-16UNF    | 1/2    | 7/16-20UNF        | SSV-JA4HSHC-33 |
| SSV 5  | 7/8-14UNF    | 5/8    | 7/16-20UNF        | SSV-JA5HSHC-28 |
| SSV 6  | 1-1/16-14UNS | 3/4    | 7/16-20UNF        | SSV-JA6HSHC-22 |
| SSV 7  | 1-1/4-12UNF  | 7/8    | 7/16-20UNF        | SSV-JA7HSHC-8  |

### Applicable for HCFC such as R22

| Series | Port Size [mm] | Dimensions [mm] |     |    |    |    |    | Wrench Size [mm]    |                    |            |                 |
|--------|----------------|-----------------|-----|----|----|----|----|---------------------|--------------------|------------|-----------------|
|        |                | A               | B   | C  | D  | E  | F  | Nut pipe Connection | Cap Shut-off Valve | Valve Stem | Cap Charge Port |
| SSV 2  | 4.8            | 23.5            | 7.2 | 38 | 14 | 36 | 60 | S17                 | S19                | S5         | -               |
| SSV 3  | 7.0            | 25.0            | 7.2 | 38 | 14 | 41 | 60 | S22                 | S19                | S5         | S14             |
| SSV 4  | 10.0           | 32.0            | 7.2 | 38 | 16 | 44 | 60 | S24                 | S22                | S5         | S14             |
| SSV 5  | 12.5           | 35.0            | 7.2 | 38 | 18 | 50 | 60 | S27                 | S26                | S5         | S14             |
| SSV 6  | 16.0           | 48.5            | 8.0 | 44 | 25 | 64 | 60 | S32                 | S30                | S5         | S14             |
| SSV 7  | 20.0           | 62.0            | 7.2 | 60 | 24 | 71 | 60 | S38                 | S42                | S8         | S14             |

Note: Good rigidity, especially suitable for commercial machines

### Applicable for HFC such as R410A

| Series | ØA Flare     | Ød ODF | Charge Port Flare | Model          |
|--------|--------------|--------|-------------------|----------------|
|        | [inch]       | [inch] | [inch]            |                |
| SSV 2  | 7/16-20UNF   | 1/4    | -                 | SSV-A2GSHC-23  |
| SSV 3  | 5/8-18UNF    | 3/8    | 1/2-20UNF         | SSV-JA3GSHC-20 |
| SSV 4  | 3/4-16UNF    | 1/2    | 1/2-20UNF         | SSV-JA4GSHC-19 |
| SSV 5  | 7/8-14UNF    | 5/8    | 1/2-20UNF         | SSV-JA5GSHC-15 |
| SSV 6  | 1-1/16-14UNS | 3/4    | 1/2-20UNF         | SSV-JA6GSHC-13 |

### Applicable for HFC such as R410A

| Series | Port size [mm] | Dimensions [mm] |     |    |    |    |    | Wrench Size [mm]    |                    |            |                 |
|--------|----------------|-----------------|-----|----|----|----|----|---------------------|--------------------|------------|-----------------|
|        |                | A               | B   | C  | D  | E  | F  | Nut pipe Connection | Cap Shut-off Valve | Valve Stem | Cap Charge Port |
| SSV 2  | 4.8            | 23.5            | 7.2 | 38 | 14 | 36 | 25 | S17                 | S19                | S5         | -               |
| SSV 3  | 7.0            | 25.0            | 7.2 | 38 | 14 | 41 | 25 | S22                 | S19                | S5         | S17             |
| SSV 4  | 10.0           | 32.0            | 7.2 | 38 | 16 | 44 | 25 | S24                 | S22                | S5         | S17             |
| SSV 5  | 12.5           | 35.0            | 7.2 | 38 | 18 | 50 | 25 | S27                 | S26                | S5         | S17             |
| SSV 6  | 16.0           | 48.5            | 8.0 | 44 | 25 | 64 | 25 | S32                 | S30                | S5         | S17             |