

## FDF (NC) SERIES

# Solenoid Valve

FDF series solenoid valves are direct operated or pilot operated solenoid valves, mainly used in refrigerant control of various devices such as refrigerating and freezing systems, air conditioners and heat pumps.



### FEATURES

- COILS: LOW ENERGY CONSUMPTION, RELIABLE
- GREAT VALVE OPENING PERFORMANCE, HIGH MOPD

### GENERAL SPECIFICATIONS

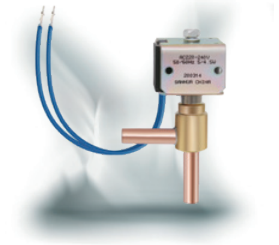
- Applicable for all common HCFC and HFC refrigerants such as: R22, R134a, R404A, R407C, R410A
- Medium temperature TS min./max.: -30°C / 120°C
- Ambient temperature min./max.: -30°C / +50°C
- Relative humidity: 0 to 95% RH
- Installation position: - Liquid, suction and discharge line  
- Coil upwards, coil axis  $\pm 15^\circ$  tolerance versus vertical axis  
- Flow direction corresponds to the arrow
- UL&CUL, TUV, VDE, CQC and declaration according to LVD or PED

### TECHNICAL PARAMETERS OF VALVE BODY

Seat	Model Valve Body	Actuation	Ø Seat	Kv	MOP	Max.OPD (vapor/AC)*	Min. OPD
			[mm]	[m <sup>3</sup> /h]	[MPa]	[MPa]	[MPa]
FDF2	FDF2A81	Direct	1.9	0.07	4.2	3.4	0
FDF3	FDF3A16		2.7	0.26	4.2	3.4	0.01
FDF4	FDF4A10		4.0	0.30	4.2	2.8	0
FDF6	FDF6A98		5.8	0.56	4.2	3.4	0.01
FDF8	FDF8A16 <sup>(1)</sup>		8	0.94	4.2	3.0	0.01
FDF11	FDF11A136		11	2.40	4.2	2.8	0.02
FDF13	FDF13A26		13	3.43	4.2	2.8	0.02

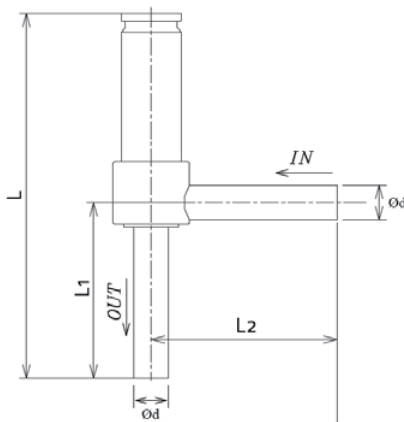
\* -FDF8A16 is match with FQ-A03 series,contact Sanhua for more details  
-Max. OPD tested by using AC coil MQ-A0522G under air condition

# FDF (NC) SERIES Solenoid Valve

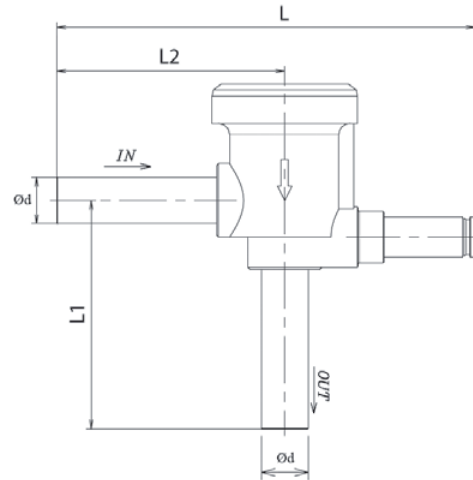


## DIMENSIONS - VALVE BODY

FDF3A~FDF8A



FDF11A...FDF13A



Seat	Ød	Model	Measurement		
	OD [inch]		L	L1	L2
FDF2	1/4	FDF2A81	66.5	32	34
FDF3	5/16	FDF3A16	81	34.5	35.7
FDF4	1/4	FDF4A10	81.2	35.3	37.8
FDF6	5/16	FDF6A98	81.6	34.5	35.7
FDF8	3/8	FDF8A16	122	70	72
FDF11	1/2	FDF11A36	114	62.3	62
FDF13	5/8	FDF13A26	114	62.3	62

## TECHNICAL PARAMETERS OF COIL

Rated Voltage	Voltage Fluctuation	Power (50/60HZ)	Insulation Class	Wiring Type Type	Length [mm]	Model
[V]		[W]				
AC24	-15% +10%	5.0/4.5	B	lead wire	1800	FQ-A05024-000709
AC120					800	FQ-A05120-001098
AC220 ~ 240					500	FQ-A0522G-000502
AC220 ~ 240					1500	FQ-A0522G-000593
AC220 ~ 240					1350	FQ-A0522G-001044

**Note:** 1) For blade type coils, please contact Sanhua

## DIMENSIONS - COIL

